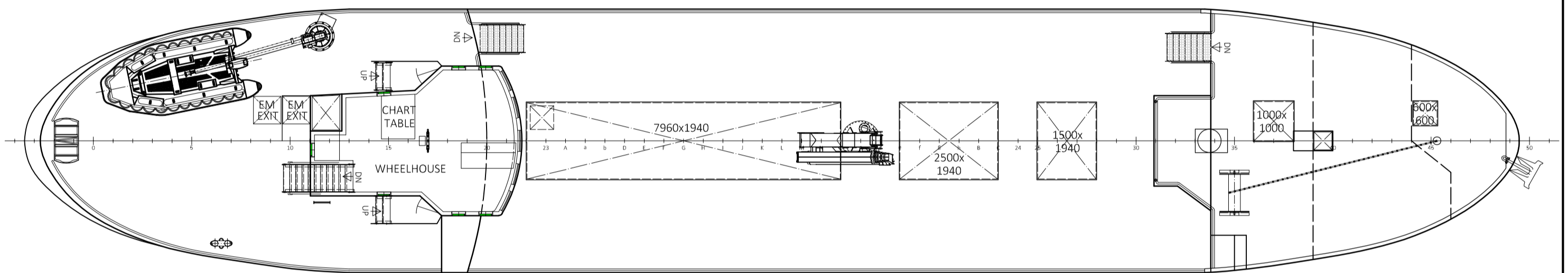
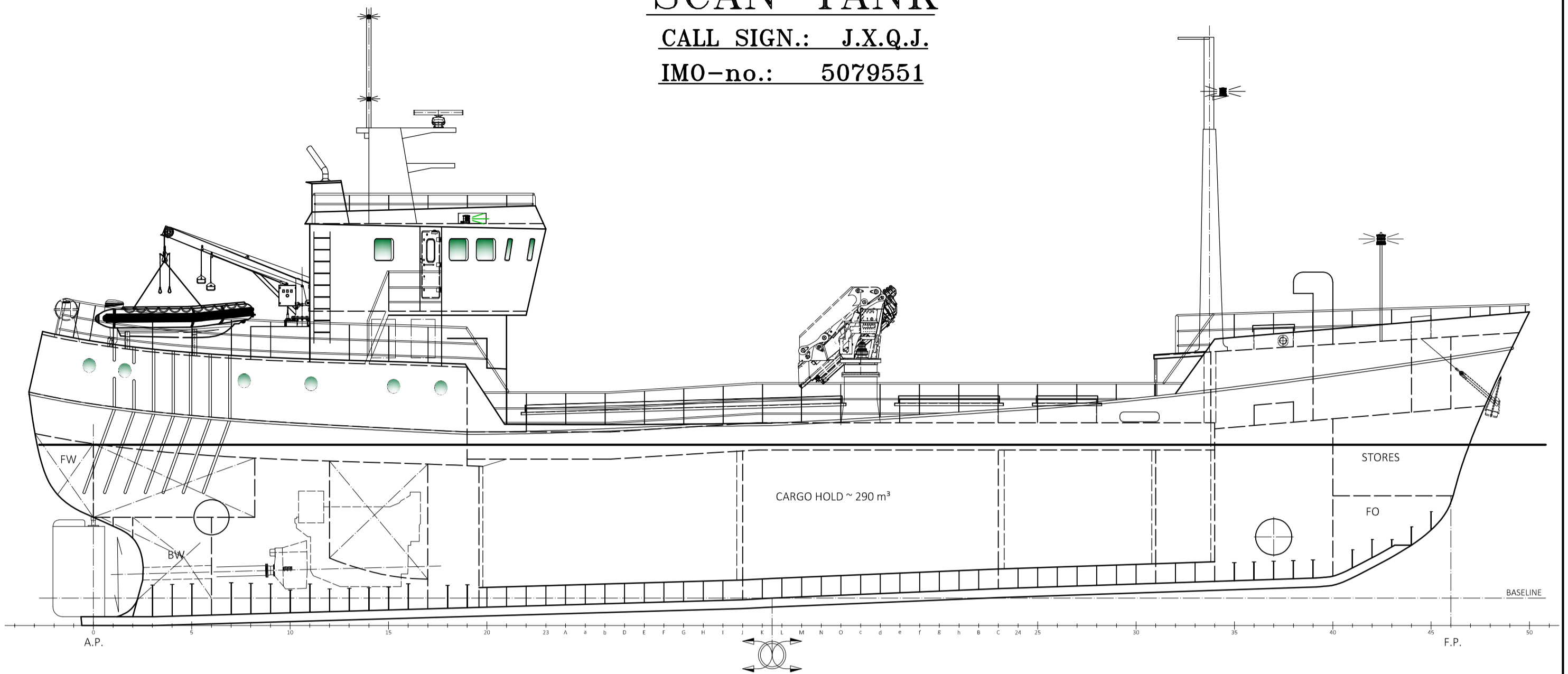


SCAN TANK

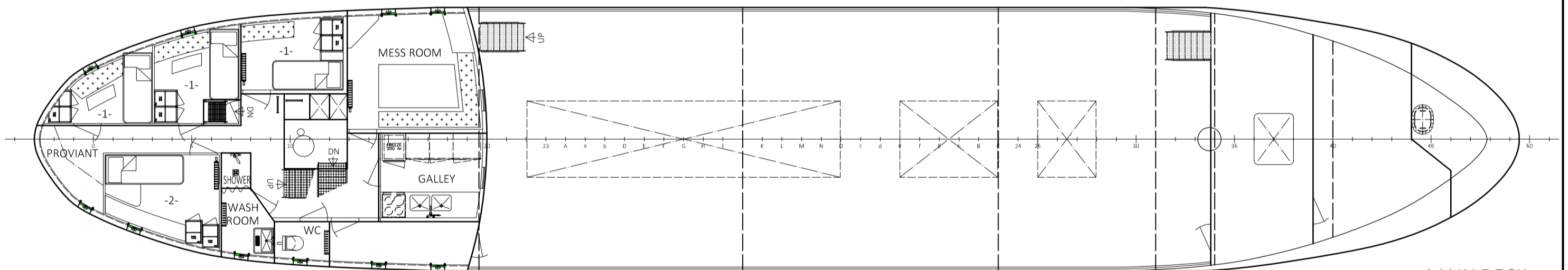
CALL SIGN.: J.X.Q.J.

IMO-no.: 5079551

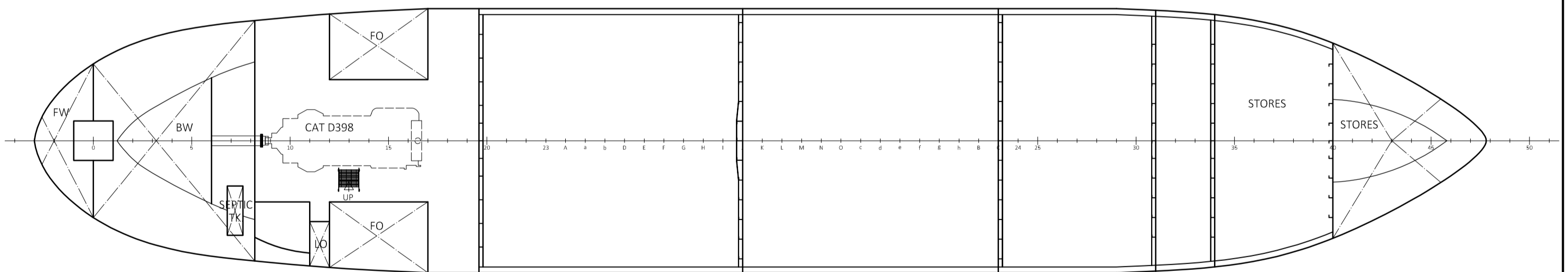


POOP DECK

FORECASTLE DECK


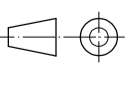



MAIN DECK



TANK TOP

MAIN DIMENSIONS
 LENGTH OVER ALL (LOA) : 37.65 m
 LENGTH BETWEEN P.P. (LPP) : 28.50 m
 BREADTH MOULDED : 6.70 m
 DEPTH TO MAIN DECK : 4.25 m
 DEPTH TO WELL DECK : 3.65 m
 DESIGN DRAUGHT : 3.90 m
 FRAME DISTANCE : 0.5 m

REV	A	ALTERATIONS	BASED ON AC-0762-R6-90	DATE	03.12.21	SIGN.	EFN	REV	--	ALTERATIONS	--	DATE	--	SIGN.	--
YARD NO/NAME				BLOCK				CLIENT (NAME/LOGO)							
GENERAL ARRANGEMENT SCAN TANK															
DEP.	MM PRO.	MM DWG. NO	SCALE	YARD DWG. NO											
DATE	03.12.21	APPR.	MM-0762-101-001	1:100											
DES.	EFN	CHK.	FILE	REV	A	SFI	101								
				Dalgatzen 137 N-6518 Kristiansund, Norway Tel.: +47 71 58 30 00 E-mail: post@moremaritime.com				SHEET 1/1				FORMAT A2			
REV APPROVED BY				TO REPLACE				AC-0762-R6-90							
				REPLACED BY				MM-0762-101-001							
				INFO											

ALL RIGHTS RESERVED!

This drawing is the property of Møre Maritime AS. It may not be copied or forwarded to any third party without our written consent. The receipt of this drawing implies that the above conditions are accepted.